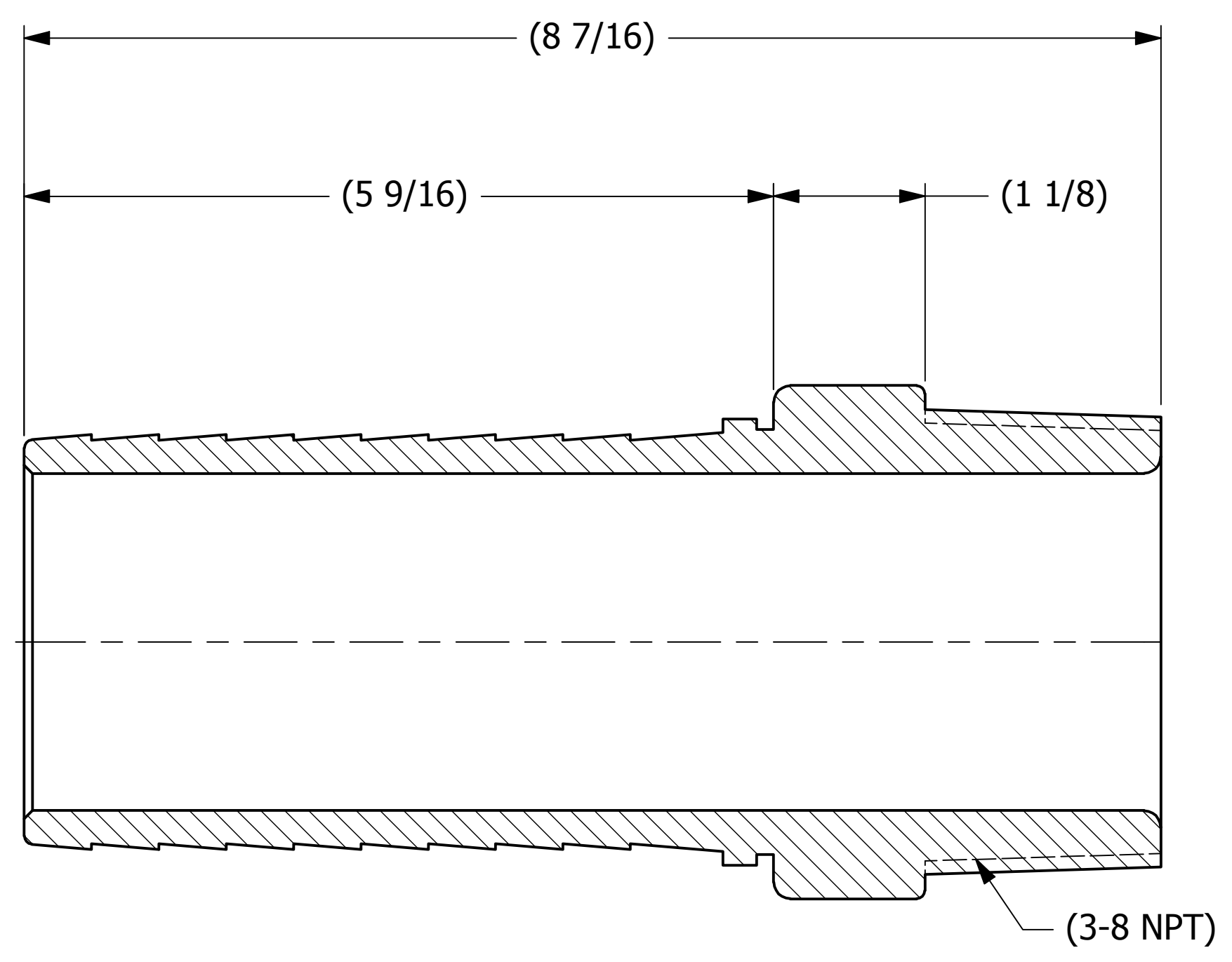
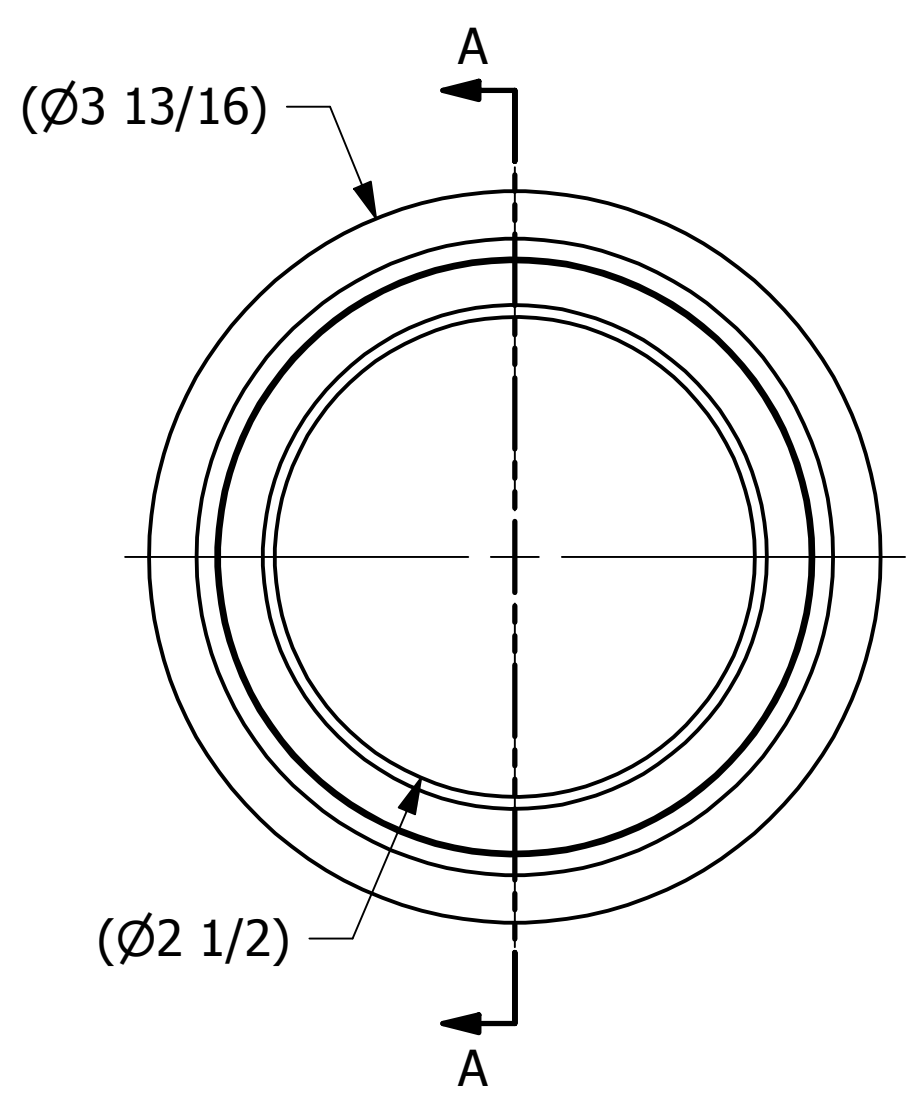


SALES DRAWING

SALES DRAWING

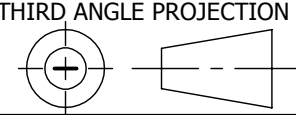


SECTION A-A

REV	BY	DATE	DESCRIPTION
B	VD	09-21-10	ADDED BOM AND GROOVE
A	VD	10-28-04	UPDATED DESCRIPTION

Hazarsolve® Corp <small>A DIVISION OF SALCO PRODUCTS</small>		PART NAME:	
		HOSE BARB 3"	
MATERIAL:		SEE BOM	
PROJECT #:		030708	SHEET #:
		1 OF 1	SCALE:
		1:1	
DRAWING #:		C26613	PART #:
		HS3PVCKC	

UNLESS OTHERWISE SPECIFIED DIMENSIONAL TOLERANCES FRACTIONAL: ±1/16 X.XX: ±.03 X.XXX: ±.015 ANGLE: ±1° <small>THIS PRINT, PROPERTY OF SALCO PRODUCTS INC. CONTAINS PROPRIETARY INFORMATION AND MUST NOT BE COPIED, REPRODUCED, OR USED DETRIMENTALLY TO OUR INTEREST.</small>	DRAWN BY:	ACC
	CHECKED BY:	RB
	PROTOTYPE BY:	ACC
	PROTOTYPE DATE:	12/17/2003
	APPROVED FOR PRODUCTION BY:	ACC
THIRD ANGLE PROJECTION	PRODUCTION DATE:	8/22/2012



4

3

2

1

4

3

2

1

D

C

B

A

D

C

B

A